

**DuraDrive ET Series**

**IDE Solid State Drive**



Super Talent's DuraDrive ET SSD series represent the next generation in data storage. Thanks to a unique Flash disk control chip and premium NAND Flash memory, DuraDrive ET SSDs combine unprecedented vibration and shock tolerance with impressive speeds. Super Talent's patented Flash management techniques increase reliability and endurance, and through our software and hardware testing ensures quality of each DuraDrive ET SSD. The DuraDrive ET series is available in a wide range of form factors and capacities to fit any application.

The Dura Drive ET SSD is geared specifically for applications that require high tolerance to environmental conditions. Example industries include:

- Military / Aerospace
- Embedded / Industrial Systems
- Enterprise Computing
- Medical Industry
- Casino Gaming

**Physical Specifications**

<b>Form Factor</b>	1.3" / 1.8" / 2.5"	
<b>*Capacities</b>	1.3"	8GB – 32GB
	1.8"	8GB – 64GB
	2.5"	8GB – 128GB
<b>Dimension</b>	1.3"	50.8mm x 46.5mm x 8.9mm
	1.8"	69.9mm x 60.0mm x 7.5mm (9.6mm)
	2.5"	69.9mm x 100.2mm x 7.5mm (11mm)
<b>IDE Interface</b>	Up to PIO Mode 6 MDMA Mode 4 UDMA Mode 5	
<b>Power Supply</b>	5.0V <sub>cc</sub> ± 5%	
<b>Package</b>	Complete metal housing	

**Performance Specifications**

<b>Sequential Read Rate</b>	65 MB/sec (max)
<b>Sequential Write Rate</b>	50 MB/sec (max)
<b>Access Time</b>	0.1 ms

**Environmental Specifications**

<b>Shock (operating)</b>	1500G	
<b>Vibration (operating)</b>	16G	
<b>Operating Temp.</b>	<b>Industrial</b>	-40°C to +85°C
	<b>Commercial</b>	0°C to +70°C

**Endurance Specifications**

<b>Read</b>	Unlimited	
<b>Write</b>	8GB	43.8 yrs @ 50GB write-erase/day
	16GB	87.7 yrs @ 50GB write-erase/day
	32GB	175.3 yrs @ 50GB write-erase/day
	64GB	350.7 yrs @ 50GB write-erase/day
	128GB	701.4 yrs @ 50GB write-erase/day

**Reliability Specifications**

<b>MTBF</b>	+1,000,000 hours
<b>Data Reliability</b>	Built-in EDC/ECC function
<b>Data Integrity</b>	10 years
<b>Wear Leveling Algorithm</b>	Patent Pending

■ ■ **DuraDrive ET Series**

**IDE Solid State Drive**

**IDE Flash Drive Pin Assignment**

**Power Segment**

PIN	SYMBOL	PIN	SYMBOL
1	/RESET	2	GND
3	HD7	4	HD8
5	HD6	6	HD9
7	HD5	8	HD10
9	HD4	10	HD11
11	HD3	12	HD12
13	HD2	14	HD13
15	HD1	16	HD14
17	HD0	18	HD15
19	GND	20	Key
21	DMARQ	22	GND
23	/IOW	24	GND
25	/IOR	26	GND
27	WAIT	28	CSEL
29	/DMACK	30	GND
31	IRQ	32	/IOIS16
33	HA1	34	/PDIAG
35	HA0	36	HA2
37	/CS0	38	/CS1
39	/DASP	40	GND
41	Vcc	42	Vcc
43	GND	44	N/C

**Ordering Information - 1.3" Form Factor**

Capacity	Industrial Temp	Commercial Temp
8GB	FHD8GC13I	FHD8GC13M
16GB	FHD16GC13I	FHD16GC13M
32GB	FHD32GC13I	FHD32GC13M

**Ordering Information - 1.8" Form Factor**

Capacity	Industrial Temp	Commercial Temp
8GB	FHD8GC18I	FHD8GC18M
16GB	FHD16GC18I	FHD16GC18M
32GB	FHD32GC18I	FHD32GC18M
64GB	FHD64GC18I	FHD64GC18M

**Ordering Information - 2.5" Form Factor**

Capacity	Industrial Temp	Commercial Temp
8GB	FHD8GC25I	FHD8GC25M
16GB	FHD16GC25I	FHD16GC25M
32GB	FHD32GC25I	FHD32GC25M
64GB	FHD64GC25I	FHD64GC25M
128GB	FHD28GC25I	FHD28GC25M

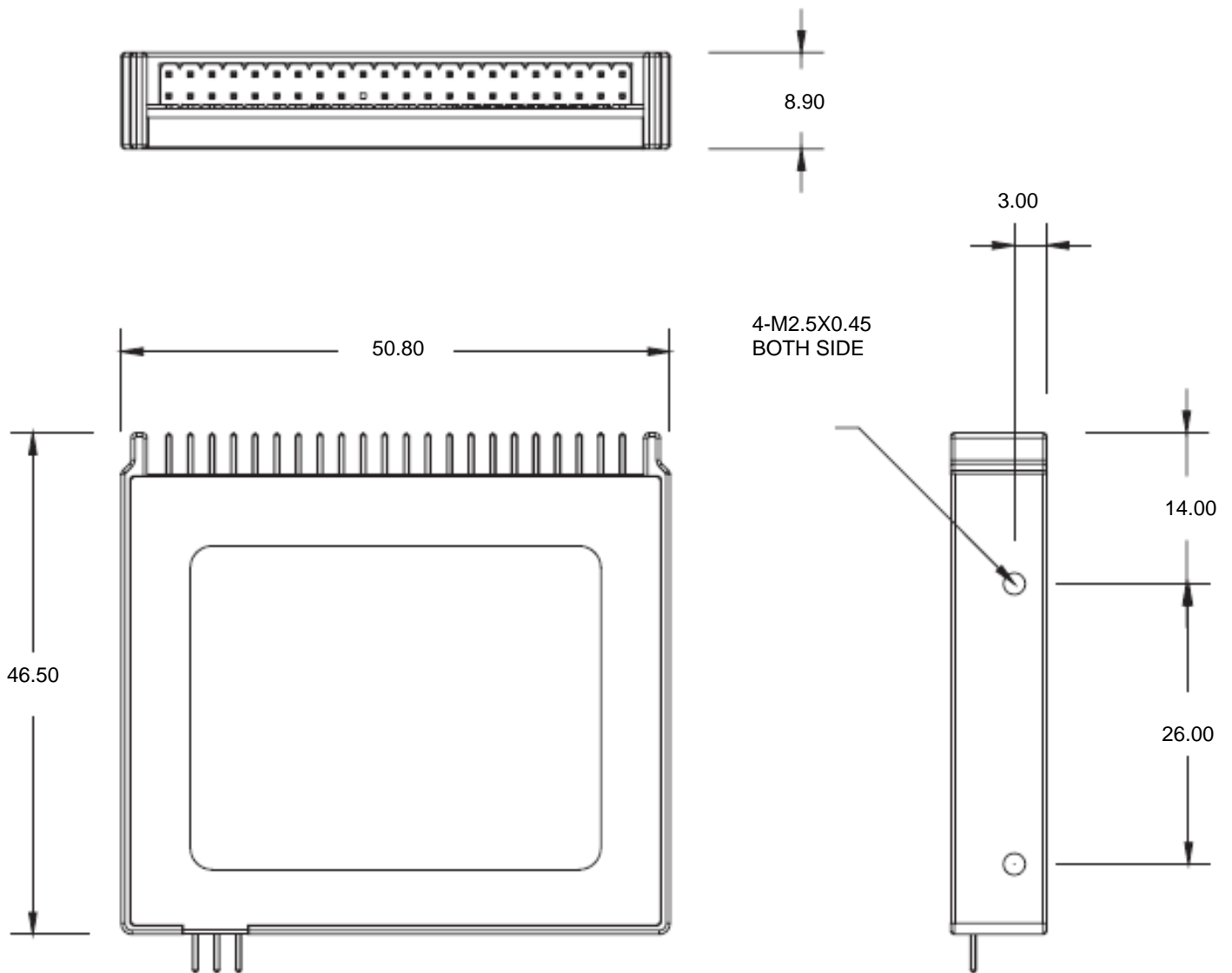
**Revision History**

April 2, 2008 Rev-A Preliminary Product Specification Released

■ ■ DuraDrive ET Series

IDE Solid State Drive

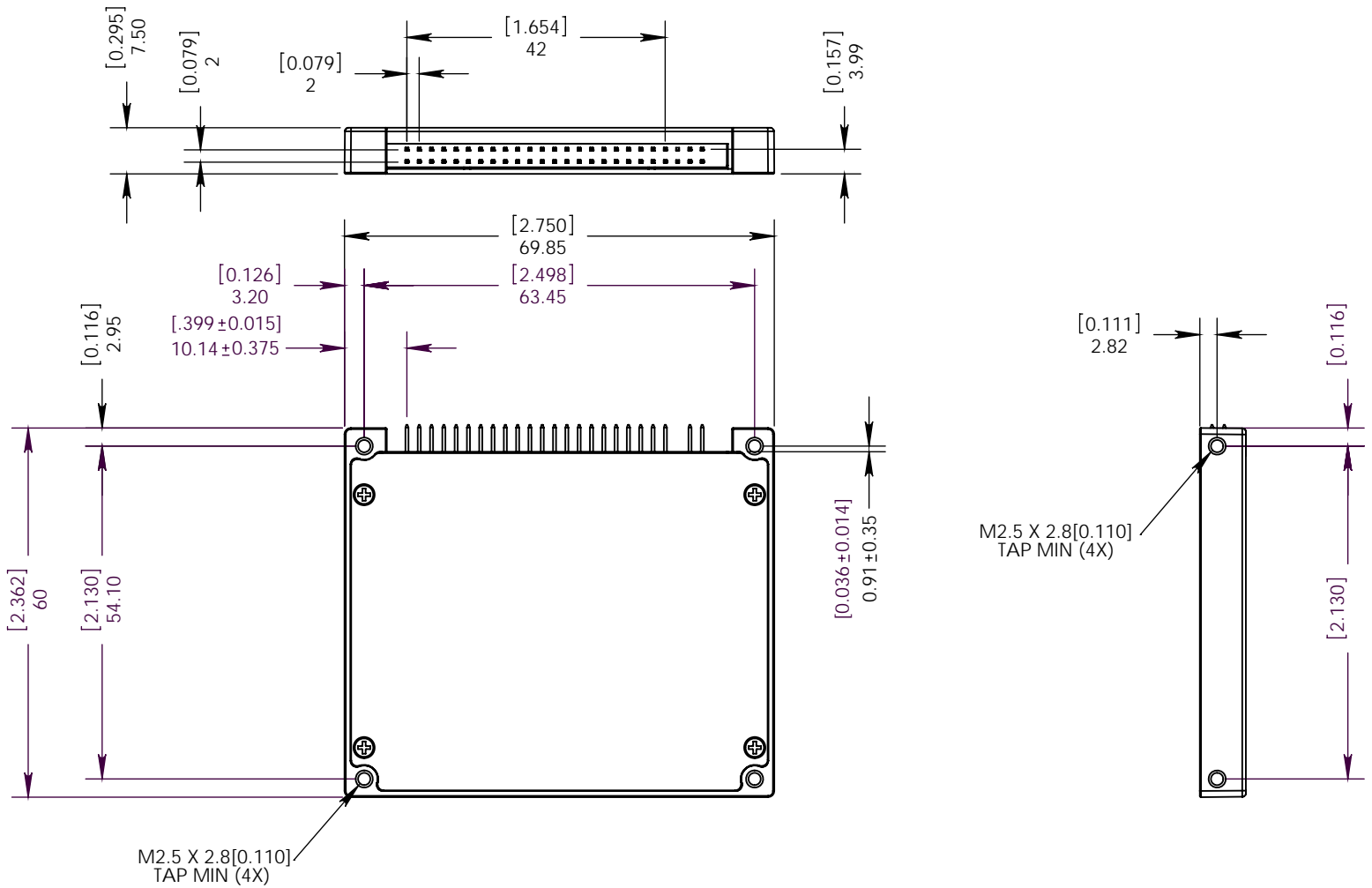
Mechanical Specifications for 1.3" DuraDrive ET SSD



■ ■ DuraDrive ET Series

IDE Solid State Drive

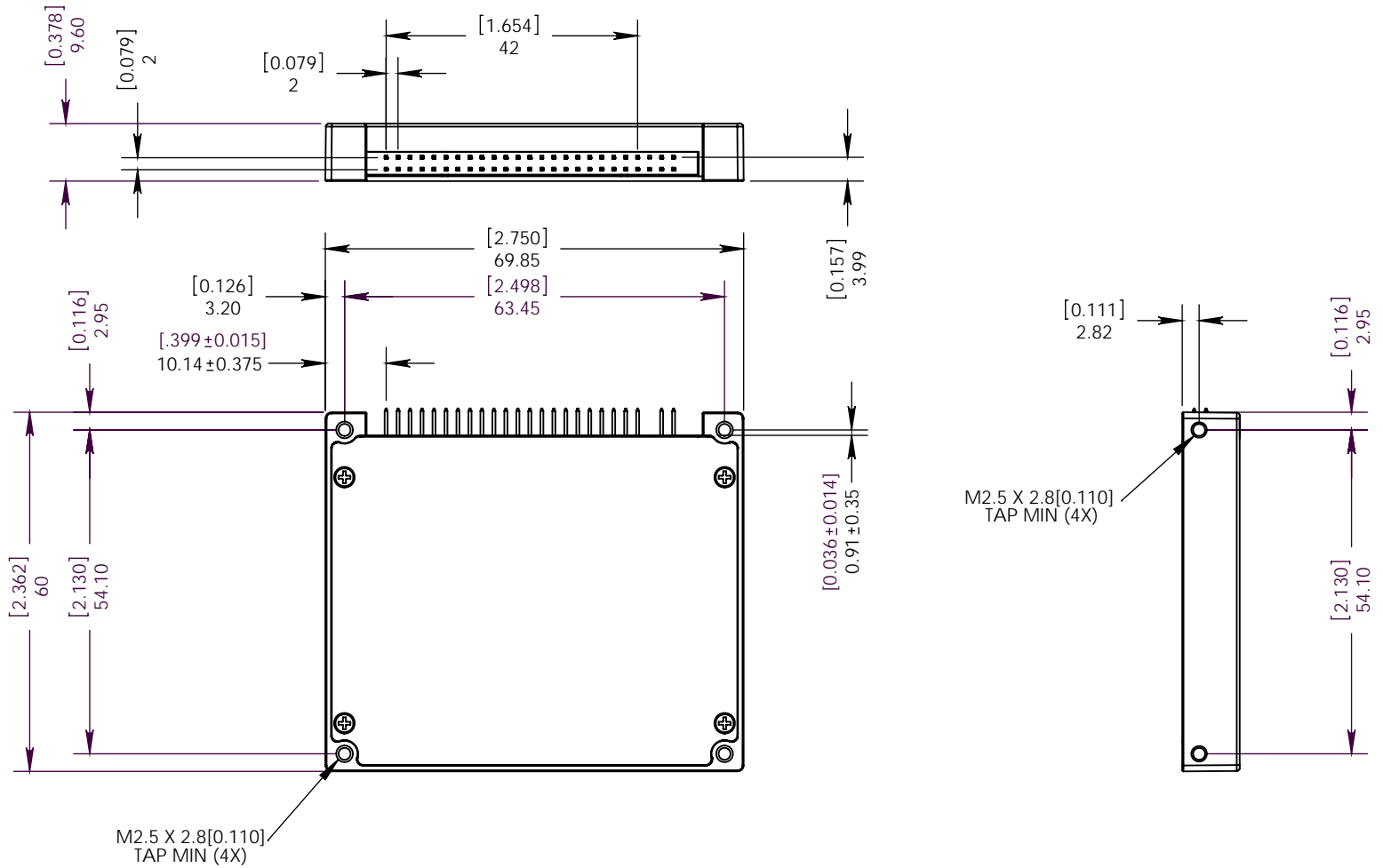
Mechanical Specifications for 1.8" DuraDrive ET SSD (low capacity)



■ DuraDrive ET Series

IDE Solid State Drive

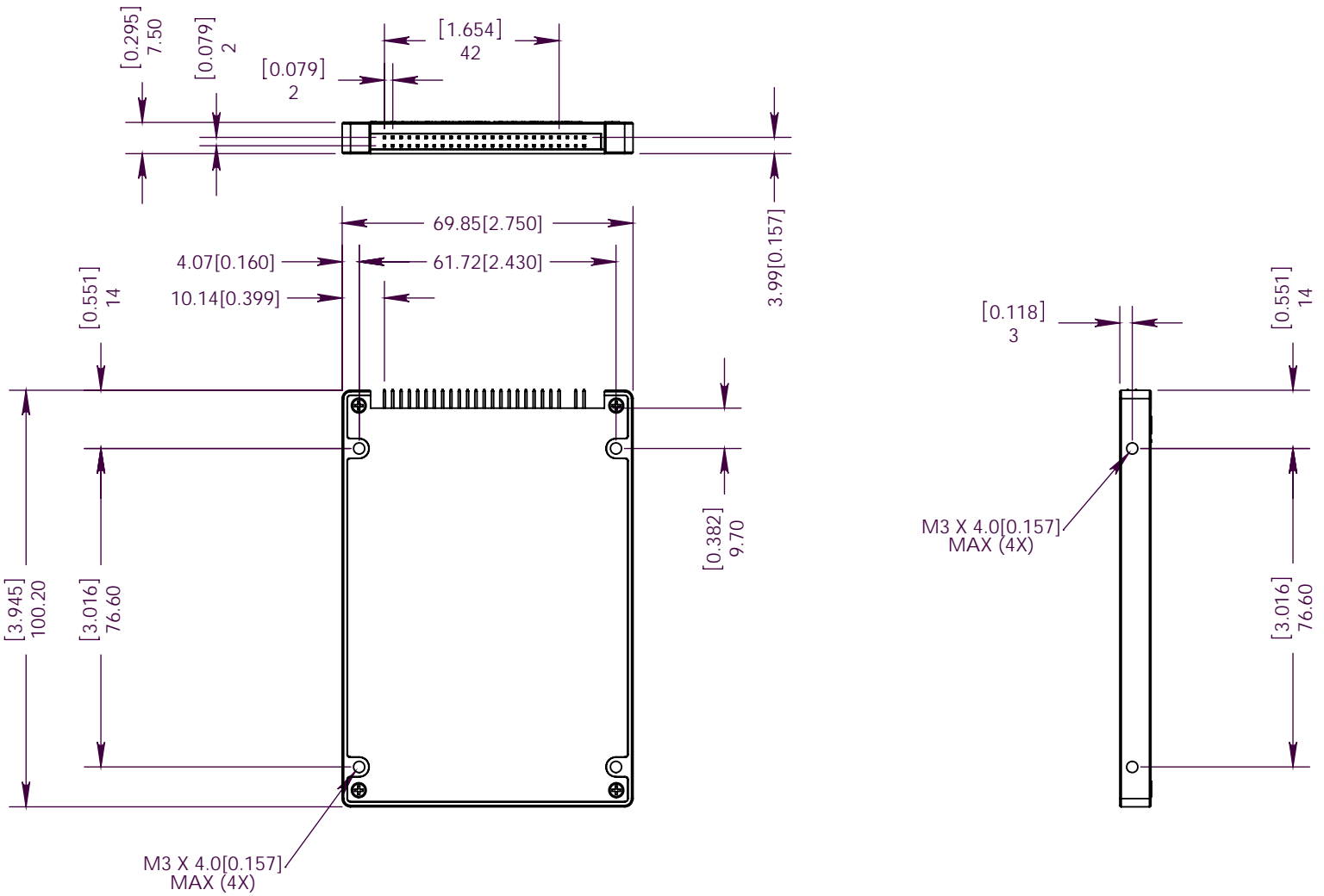
Mechanical Specifications for 1.8" DuraDrive ET SSD (high capacity)



■ ■ DuraDrive ET Series

IDE Solid State Drive

Mechanical Specifications for 2.5" DuraDrive ET SSD (low capacity)



■ DuraDrive ET Series

IDE Solid State Drive

Mechanical Specifications for 2.5" DuraDrive ET SSD (high capacity)

